

The reproduction, transmission or use of this document or its contents is not permitted without express written authority. Offenders will be liable for damages. All rights, including rights created by patent grant or registration of an utility model or design, are reserved.


Weitergabe sowie Vervielfältigung dieser Unterlage, Verwertung und Mitteilung ihres Inhalts nicht gestattet, soweit nicht ausdrücklich zugestanden. Zuwiderhandlungen verpflichten zu Schadensersatz. Alle Rechte vorbehalten, insbesondere fuer den Fall der Patenterteilung oder GM-Eintragung.

**Notes:**  
 Current Rating: 3.0 AMP  
 Contact Resistance: 20 Milliohm max.  
 Insulation Resistance: 1000 Megaohm min.  
 Withstand Voltage: 500VAC/Minute  
 Operating Temperature: -40°C to +105°C

Contact Material: Brass  
 Contact plating: Sn or Au Over Ni  
 Insulator Material: PBT+30%GF (UL94V-0)

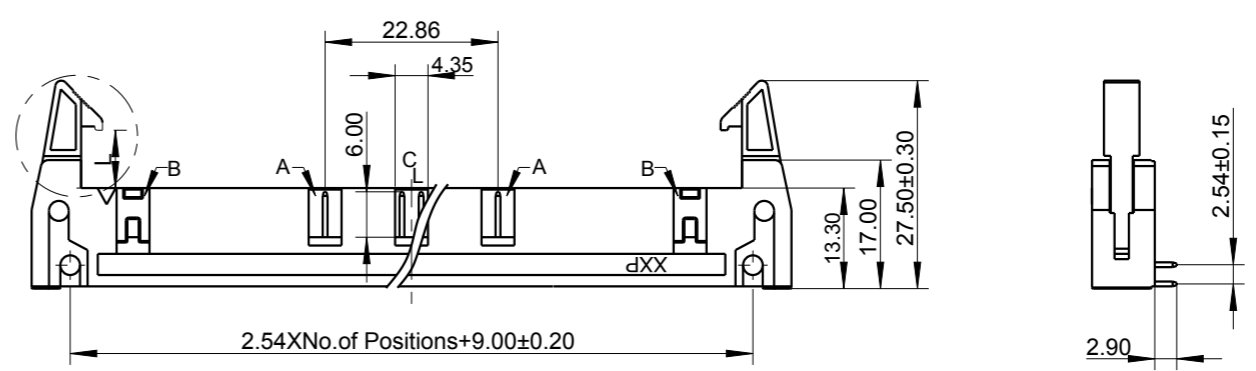
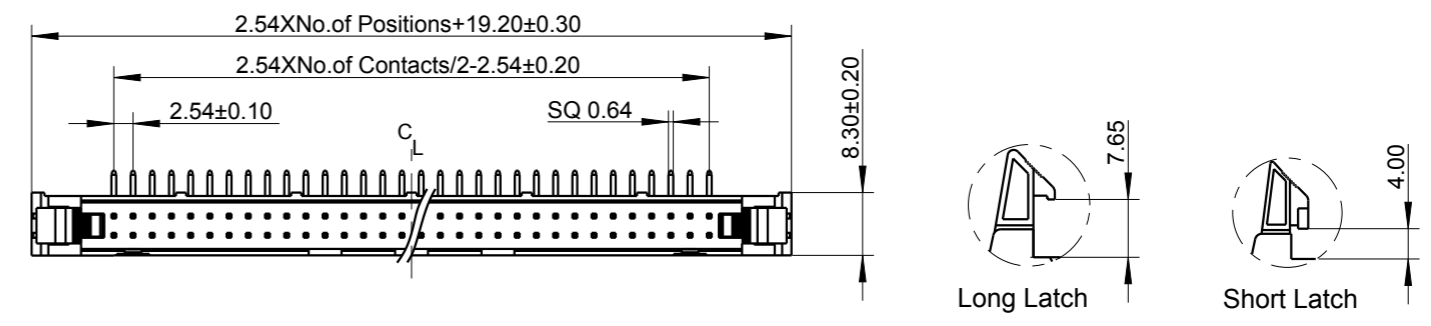
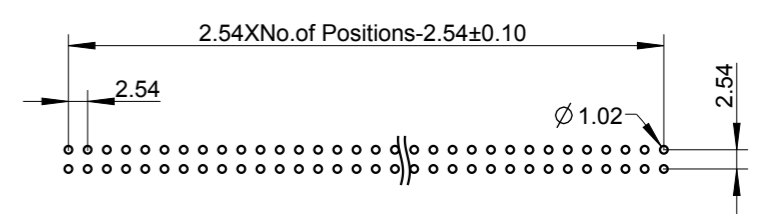
10 TO 16 Pos. with Slot "B"  
 20 TO 60 Pos with Slot "A" AND "B"

Components according to RoHS directive 2002/95/EC

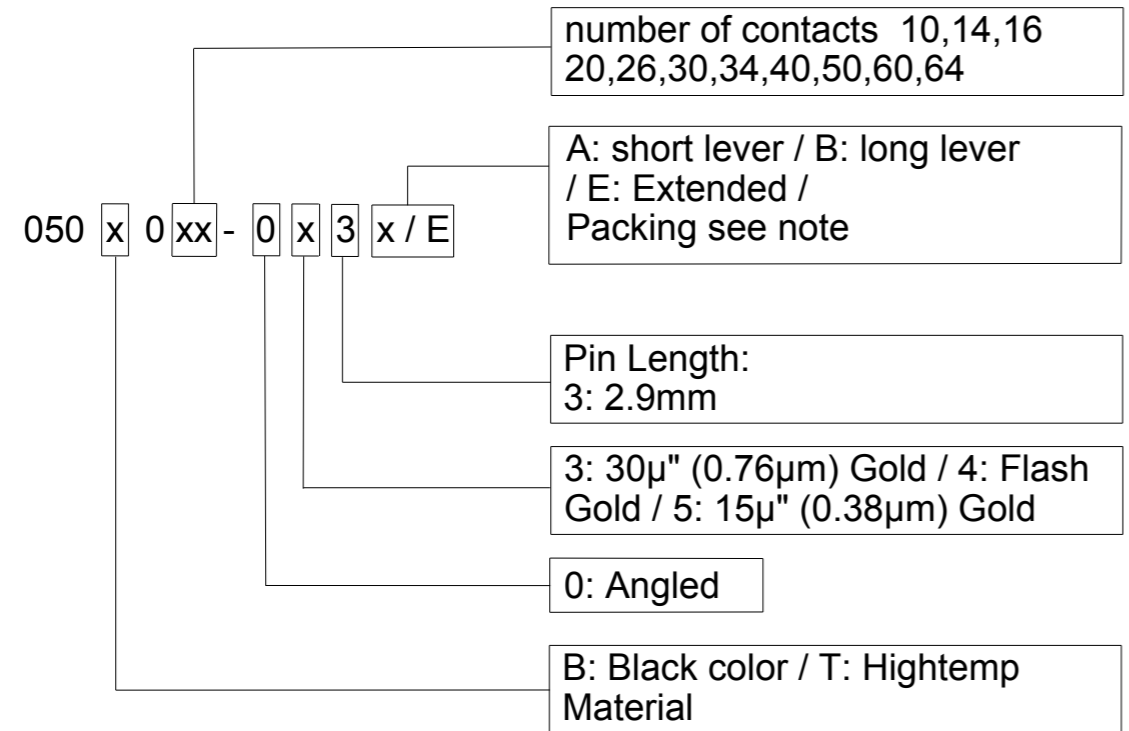
Housing printed with Pancon Logo  


**Packing Note:**  
 Standard (no designation) = Tray or Cardboard  
 J = Tray with Cap  
 R = Reel  
 T = Tube  
 U = Reel with Cap  
 V = Tube with Cap

Recommended P.C.B Layout(Top Side)



**Ordering Information Connector**



3D-CAD-MODELLNAME: DRAWING IMPORT				FILETYPE: 2D-DRW	Dateiname Zeichnung / FILENAME DRAWING: C-050X0XX-0X3X_E	
wird verwendet in / USED IN: -		Allgemeintoleranzen GENERAL TOLERANCES .000 ±0.13 .00 ±0.25 .0 ±0.38 } ANGLE ±1°		Einheit/UNIT mm	Maßstab: SCALE unscaled	VOLUME: mm3 Gewicht/WEIGHT: g
Bemerkungen / REMARKS -				MATERIAL: SEE PRODUCT KEY Oberfl./FINISH: SEE PRODUCT KEY		unverbindlich WITHOUT OBLIGATION
				DATE erstellt DRAWN BY 210208 WIS	Benennung/TITLE <b>LATCH HEADER,254, ANGLED, TH</b>	
				NAME geprüft CHECKED 220208 ROK		
				DATE Freigabe RELEASED 220208 RAS		
02	#1901	110209	TOS	 www.pancon.de		Blatt SHT. 1
REV.	Aenderung/ECN	DATE	NAME			Zeichnungsnummer/DRAWING-NO. <b>C-050X0XX-0X3X/E</b>
				Project: LC/E		Format A3