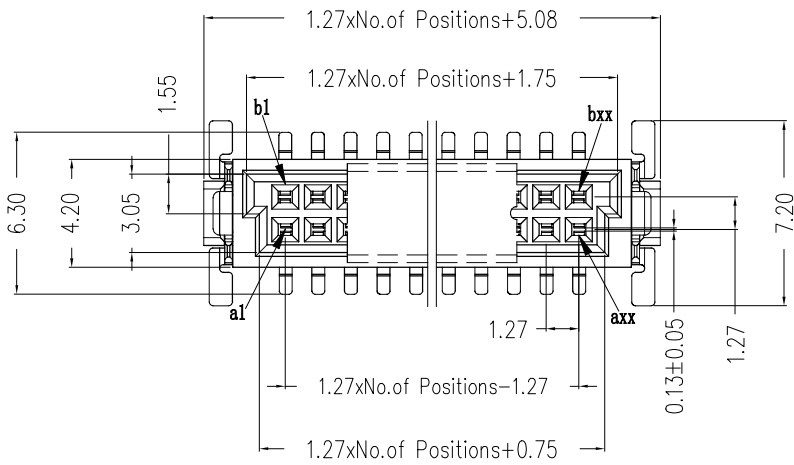
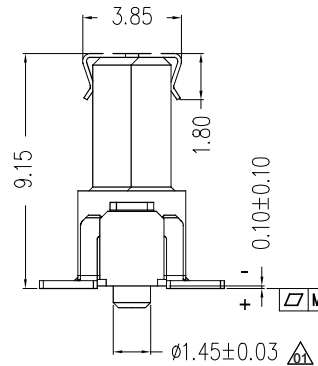
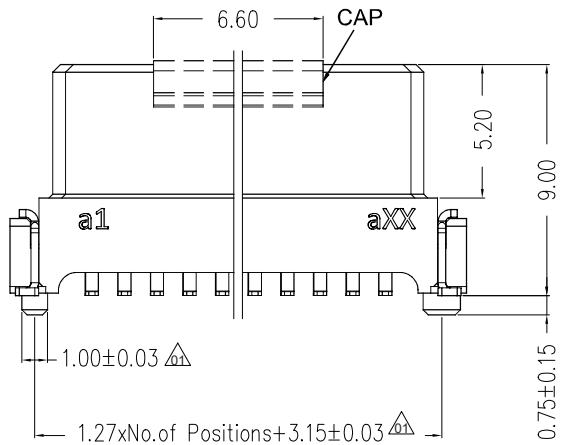
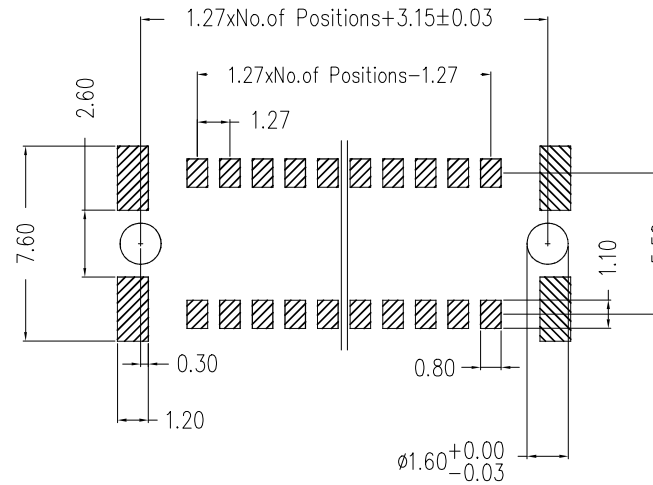


LAT-CON 127, Female, Height 9 mm, Pitch 1.27 mm



Recommended P.C.B Layout (Top Side)
(PCB BOARD TOLERANCE ± 0.05)



PIN	M
10~40PIN	0.12
42~100PIN	0.15

NOTES:

Rated Current: 1.2A at 20°C max. Δ
 Contact Resistance: 25m Ω Max.
 Withstand Voltage: 500V
 Insulation Resistance: 10000M Ω Min.
 Operation Temperature: -55°C to +125°C

Contact Material: Phosphor Bronze
 Contact Plating: Sn and Au over Ni
 Tail Material: Phosphor Bronze
 Tail Plating: Sn over Ni
 Main Body Material: LCP

Pancon P/N	Pin
033M012-467U	12
033M016-467U	16
033M020-467U	20
033M026-467U	26
033M032-467U	32
033M040-467U	40
033M050-467U	50
033M068-467U	68
033M080-467U	80

REV	DATE	NOTE	NAME
02	02.08.2018	modified	vav
01	11.07.2018	modified	vav
00	22.01.2018	issued	vav