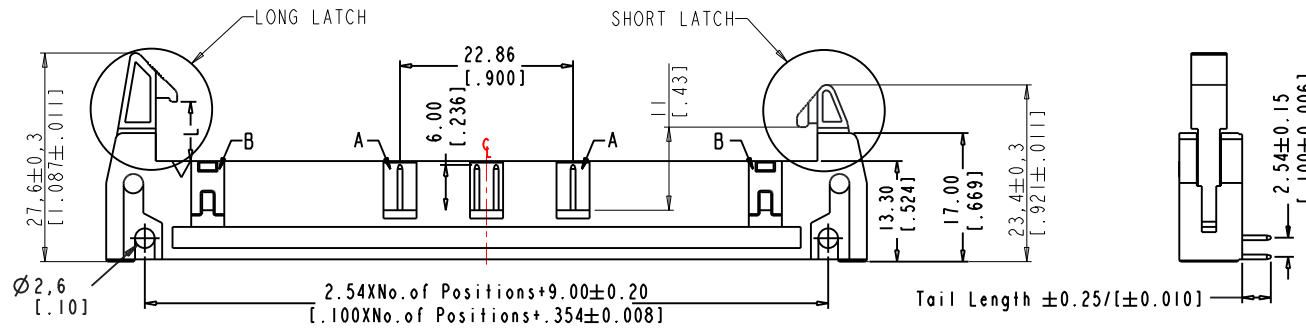
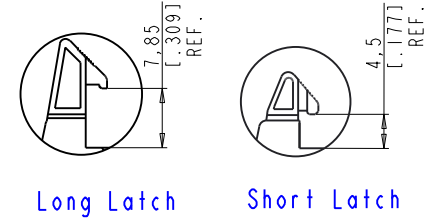
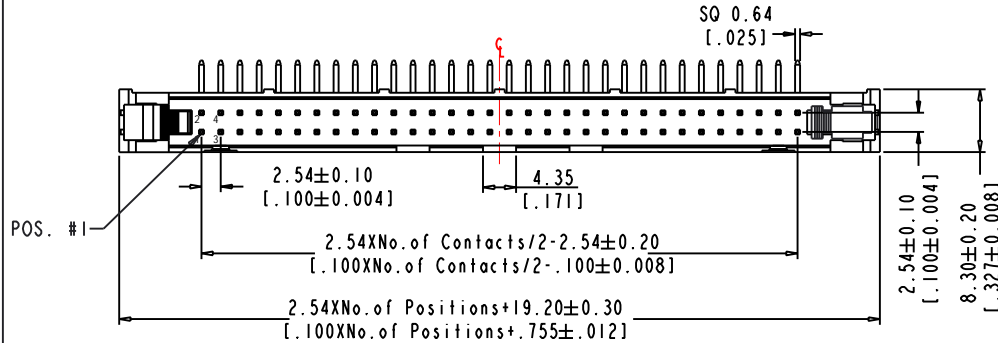
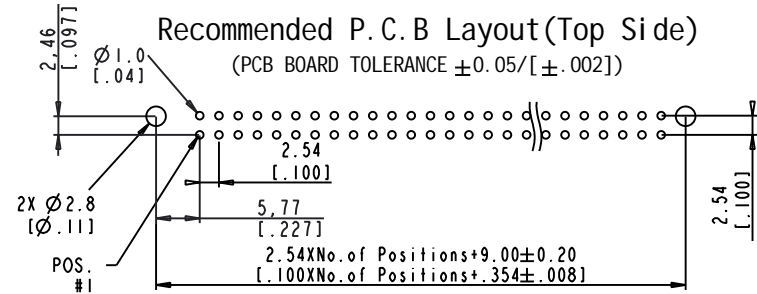
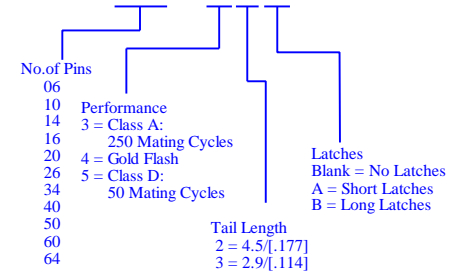


NOTES:

- 1) CURRENT RATING: 3.0A
- 2) CONTACT RESISTANCE: 20 mΩ MAX.
- 3) INSULATION RESISTANCE: 1000MΩ MIN.
- 4) WITHSTANDING VOLTAGE: 500VAC/MINUTE.
- 5) OPERATING TEMPERATURE: -40°C TO 105°C.
- 6) HOUSING MATERIAL: PBT OR PA9T 30%GF UL 94V-0; GRAY
- 7) PIN MATERIAL: BRASS ALLOY
- 8) SLOTS 'A' & 'B':
 10-16 POSITION: W/O SLOTS 'A' & 'B'
 20-50 POSITIONS: W/O SLOTS 'A' & W/ SLOTS 'B'
 60-64 POSITION: W/ SLOTS 'A' & SLOTS 'B'
- 9) ALL DIMENSIONS ARE MM/[IN.]



P/N LEGEND
050-0XX-0XXX



RoHS COMPLIANT

				PANCON www.pancon.de / GERMANY www.panconconnectors.com / USA		BOLINGBROOK, IL			
				LAT-CON 050 SERIES RIGHT ANGLE HEADER					
				UNLESS OTHERWISE SPECIFIED DIMENSIONAL TOLERANCES ARE: (.X) ± .5/[(.02) (ANGLES) ± .4"		UNLESS OTHERWISE SPECIFIED, ALL DIMENSIONS ARE GIVEN IN INCHES. THIRD ANGLE PROJECTION			
15	4/17/14	DWS		REVISED SHORT LATCH	DRAWN BY: DWS	MATERIAL:	SCALE: 2/1		
14	2/20/14	DWS		REDRAWN	DATE: 1/31/14		DRAWING NO. KA-10241		
REV.	DATE	BY	CHK	DESCRIPTION	CN	- R	CST	SUP	CHK'D DWG. A SIZE